

LED LIGHTING / LINE FILTER

LINE FILTER

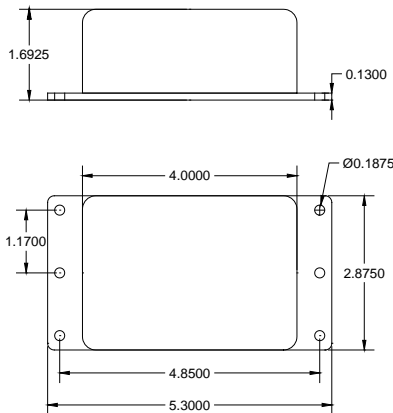


DESCRIPTION

GNP line filters will protect equipment from malfunctions due to conducted interference coming into the equipment from line, especially line to ground (common mode) noise and transients. GNP line filters are designed to provide the required noise suppression to allow most equipment to meet FCC specifications for conducted emissions.

GNP line filters are a cost effective solution for equipment that is environmentally subjected to the damaging effects of transient noise and other interference that may result in unnecessary memory loss or down time of a traffic controller. Trouble intersections may need no more than a reliable line filter to correct this potentially dangerous situation.

RFI emissions are propagated in two manners, radiated and conducted. Most designers must be concerned with both in order to design their equipment to operate properly in a particular environment and often in the presence of significant levels of RFI. **In order to achieve this level of protection, the ground terminal must be connected to earth ground, not system neutral.** The excellent characteristics of GNP line filters will provide the attenuation of RF interference you will need to achieve a safe operational environment for your equipment.



For more information and product support call us at...

312-970-1LED
info@gnpenergy.com

FEATURES

- Eliminates Noise Transients
- Weatherproof
- 35, 50, or 60 Amp Capability
- Mounts Easily
- Cost Effective

SPECIFICATIONS

Rated Voltage (RMS) 277 VAC
 Rated Current (A) 35,50, or 60 Amps
 Frequency (Hz) 50/60 Hz

Leakage Current
 @ 277 VAC (L-G, mA) 5 mA

Insertion Loss (dB) @
 .2MHz......70
 .3 MHz74
 .6 MHz80
 1 MHz77
 10MHz76
 20MHz76
 40MHz66
 75MHz63

Hipot (1 min., VDC)1500
 Temperature Range.....-40°C to +85°C
 Insulation Resistance.....in excess of 1 mega ohm
 Mounting Base Plate Base
 Plate Size (in.)5.25 x 2.87 x .06
 Filter Size (in.)2.87(A) x 4.00(B) x 1.56(C)