

## GENERAL INFORMATION

LED Driver Type	Constant Voltage (Class 2)
Maximum Wattage	40 Watts
Input Voltage	120 - 277 VAC ± 10% Universal
Input Frequency	50/60Hz
Total Harmonic Distortion	<20%

## CASE STYLE W: POLYCARBONATE



## ELECTRICAL SPECIFICATIONS

Watts	Output Voltage	Max Output Current	Input Voltage	Input Power	Input Current	Power Factor	Efficiency	Hatch Part Number
40W	24 VDC	1.67A	120 - 277 VAC	47W	0.50/0.13A	>0.90	86%	LV40-24N-UNV-W

## PRODUCT FEATURES

- Short circuit and overload protection
- Over temperature protection
- Suitable for dry and damp locations
- Withstanding voltage: I/P – O/P 2kVAC
- Minimum start temp: -30°C

## APPROVALS

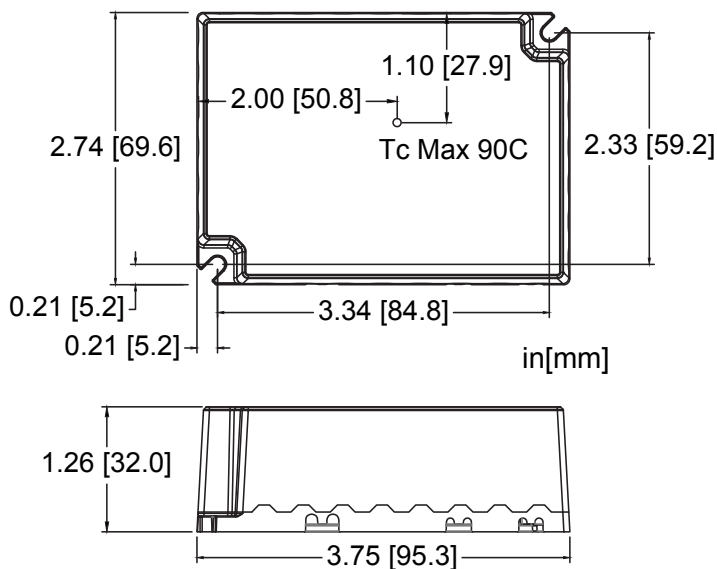
- UL 8750 recognized component
- EN61000-3-2
- EMC: Meets FCC47 CFR Part 15 (Class B) consumer limits
- IP66



## WARRANTY

- 5 year limited warranty

## MECHANICAL SPECIFICATIONS: CASE STYLE W



## WIRING INFORMATION

Input:	12", Black (L), White (N) #18AWG
Output:	12", Red (+), Blue (-) #18AWG

## PACKAGING INFORMATION

Weight:	10.6 oz
Quantity:	40pc/carton